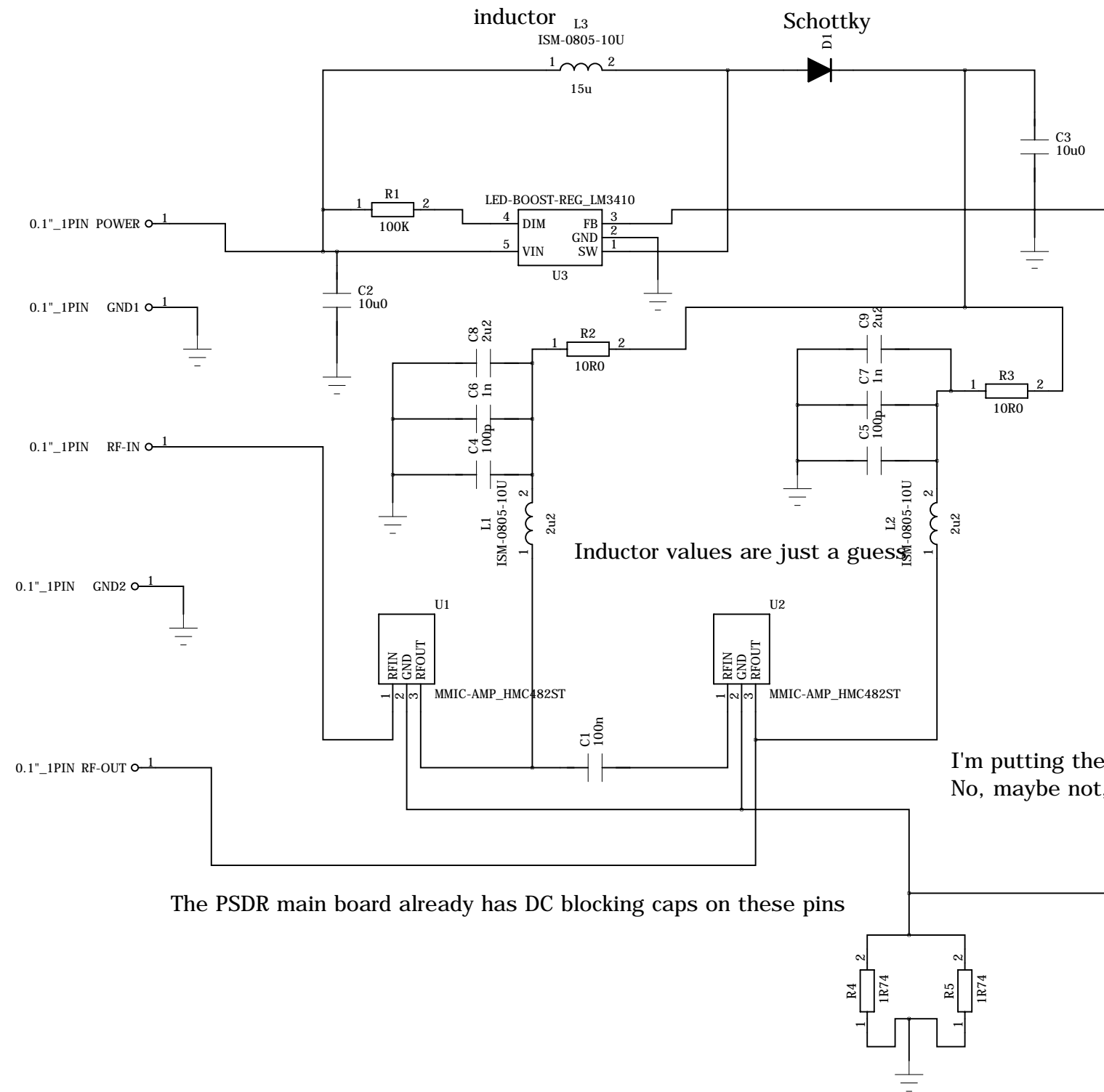


We're doing this as a constant current source, so we're not setting the voltage (should be around 6v though, just for your info)



Inductor values are just a guess

I'm putting them in series, power-wise, I think it will totally work and will ensure equal current
No, maybe not, but it would be fun to try!

The PSDR main board already has DC blocking caps on these pins